



Guidance for Using PowerID Labels with Datamax H Class Printers Application Note



October 2009

Guidance for Using PowerG Labels with DATAMAX H Class RFID Printer

Label Type:

PowerG-W402, ISO 18000-6C / EPCglobal Class-1 Generation-2, 860-930MHz

Label roll format:

Inside diameter - 6 inch

Pitch - 95 mm

Width - 105 mm

Number of labels - 500

Label converting material:

Thermal transfer, 3M 76615

Printer type and model:

H4212x and H6210

Ribbon type:

AXR 8

Print control setting:

Heat - 20

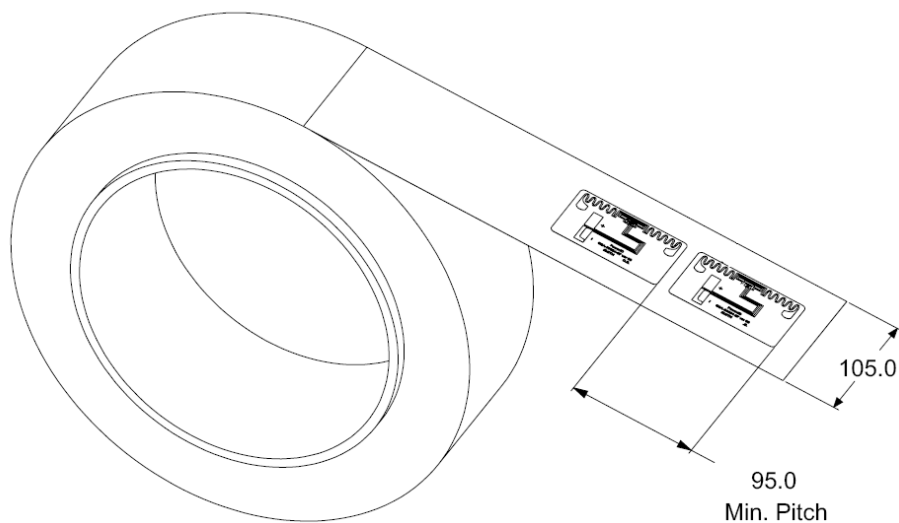
Speed - 2.0 inch/sec

RFID setting:

RF power - +4 dBm

RFID position - 1.42 inch

Orientation and position of label:



Note:

For best printing quality, avoid printing above the battery and chip.

Guidance for Using PowerT Labels with DATAMAX H Class RFID Printer

Tag Type:

PowerT-W501, ISO 18000-6C / EPCglobal Class-1 Generation-2, 860-930MHz

Label roll format:

Inside diameter - 6 inch

Pitch - 95 mm

Width - 145 mm

Number of labels - 500

Printer type and model:

H6210

Ribbon type:

AXR 8

Print control setting:

Heat - 20

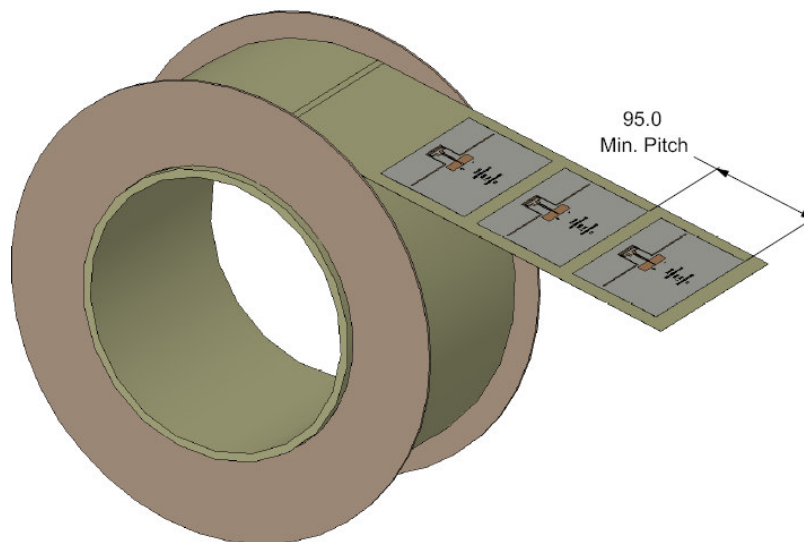
Speed - 2.0 inch/sec

RFID Setting:

RF power - +4 dBm

RFID position - 2.07 inch

Label orientation and position:



Note:

For best printing quality, avoid printing above the battery and chip.